

Turbovac Heavy Duty Vacuum Packaging Machine

ITEM: 45310
MODEL: M50-LS



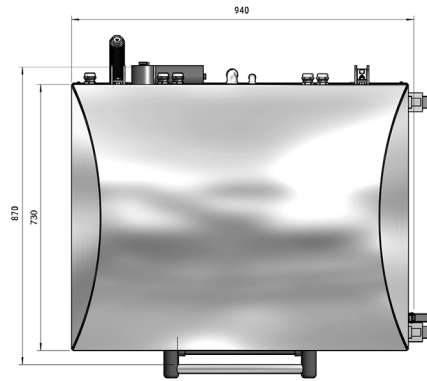
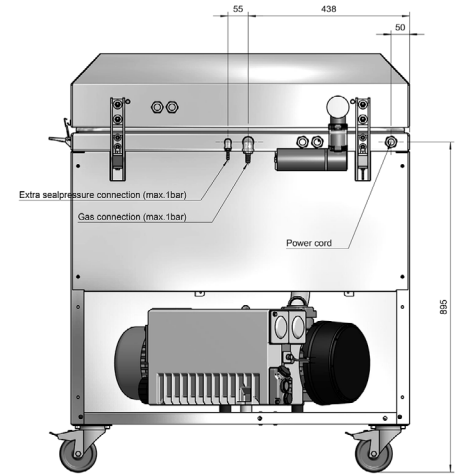
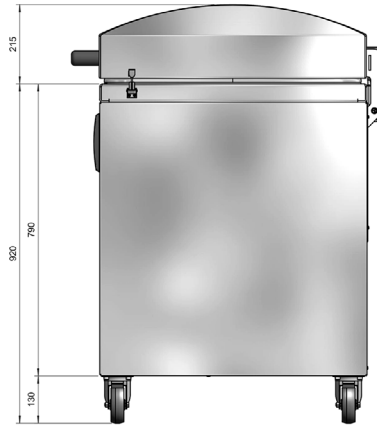
Reliable and easy to use

Turbovac machines always aims to supply best-in-class vacuum packaging experience for very competitive prices. Built with only quality materials to build durable, reliable and long-lasting equipment.

FEATURES:

- High-quality Busch vacuum pump
- Deep-drawn vacuum chamber
- Maintenance friendly construction
- Cable free welding bar construction
- Optional: Starter kit with consumables (teflon tape, welding wire)
- Standard 10 Program Digital Time Control
- Trenn (pre-cut) / 1-2 / Bi-Active seal

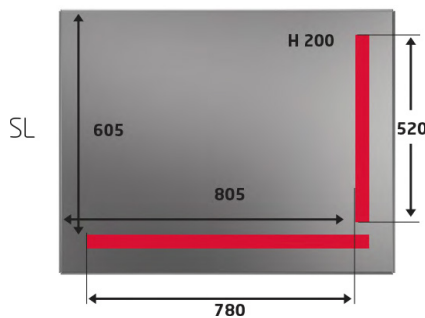
Technical Drawings & Dimensions *measurements in diagram are in mm



Technical Specification

Description	Stainless Steel Cover Flat Working Surface
Item	45310
Model	M50-LS
Seal	Double
Seal Length	29.3" - 31.7" - 32.3" (745 - 805 - 820 mm)
Power	n/a
Amps	n/a
Electrical	220V / 60 Hz / 3Ph
Digital Time Control	10 Programs
Pump Capacity	63 m ³ / h
Net Weight	679 lb. (308 kg.)
Net Dimensions (WDH)	34.2" x 37" x 44.9" (870 x 940 x 1140 mm)
Gross Weight	n/a
Gross Dimensions (WDH)	n/a

Seal Configurations



Optional

Filler Plates	Yes
Sensor Control	Sensor/H ₂ O
Soft Air	Yes
Seal	Trenn (pre-cut) / 1-2 / Bi-Active
Gas	Yes
Pump Upgrade	100 or 160 m ³